

TY2 1/2 C

TRINITY Tap Range Trinity 2 Basin Taps Chrome



Features:

- Uniquely designed Timeless detailing for traditional bathrooms.
- Hand-finished handles using precision watchmaker techniques.
- Metal fixing nut for added durability

Product Certifications:



68.5 L/Min

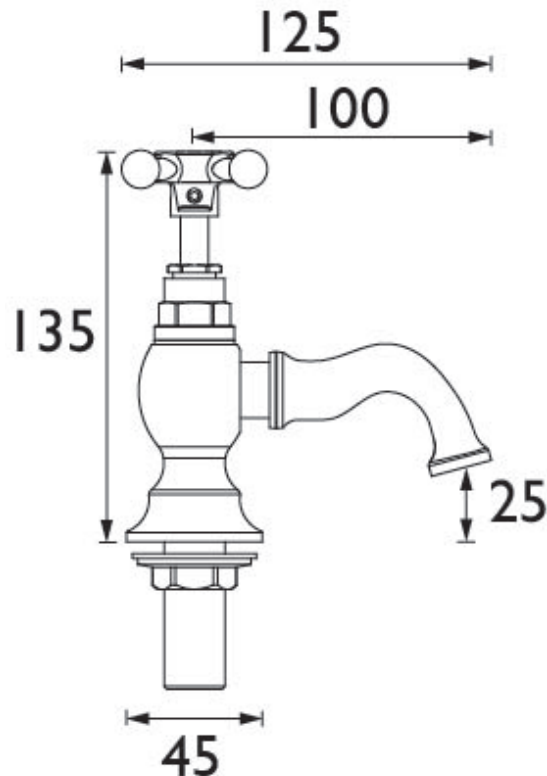
For more products, visit our website:
<http://www.bristan.com>



Specification

Product Type:	Bathroom Taps
Main Construction Material:	Brass
Mount Type:	Deck Mounted
Handle Type:	Crosshead
Connection Inlet:	1/2" BSP Connections
Connection Outlet:	Open
Number of Tap Holes:	2
Valve/Cartridge Type:	1/2" Compression Valves
Plumbing System Requirements:	Suitable for all plumbing systems
Working Pressure Range:	Min 0.2 bar, Max 5.0 bar
Maximum Hot Water Temperature: °C	65
Maximum Static Pressure: (bar)	10
Flow Type:	Single
Isolation Included:	No

Dimensions (measurements in mm)



Flow Rates (l/min)

System Pressure (bar)	0.2	0.5	1	2	3	5
TY2 1/2 C	16.3	28	39.6	56	68.5	88.5

TECHNICAL
DATA
SHEET



BRISTAN

D3